

- KH-2201, 2202, 2204 Type approved by UL
c UL US File No. E117960
- KH-2203 Type approved by UL
c UL US File No. E191305
- Comfortable mounting and dis-mounting
- Body materials with heat resistance, oiltight and mechanical strength.
- maximum 5mm of panel thickness
- available upto 4 contact blocks

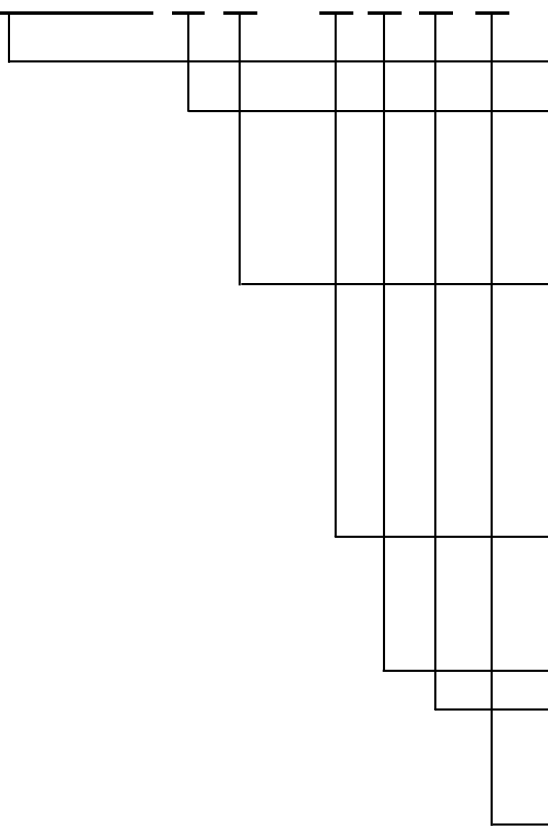
Push Button Switches

KH - 2201 EB - 1 1 R

ACTUATOR	CATEGORY	KH-2201	Ø 22 PUSH BUTTON	
	BLANK	PUSH BUTTON, MOMENTORY		
	EB	MUSHROOM HEADED PUSH BUTTON, MOMENTARY		
	ER	PUSHBUTTON, TURN TO RESET		
CONTACT BLOCK	S	SELECTABLE PUSH BUTTON		
	NUMBER	NUMBER OF NO CONTACT		
CONTACT BLOCK	NUMBER	NUMBER OF NC CONTACT		
COLOR	R	RED	BASIC BUTTON COLOR R/G/Y/B/W/BK	
	G	GREEN		
	Y	YELLOW		
	B	BLUE	EB, ER BUTTON R/G/Y	
	W	WHITE		
	BK	BLACK		
			S BUTTON BK	

Illuminated Push Button Switches

KH – 2204 L P – 1 1 1 R

	CATEGORY	KH-2204	ILLUMINATED PUSH BUTTON	
	LIGHT SOURCE	BLANK	FILAMENT	
		LED	LED	
	ACTUATOR	BLANK	PUSH BUTTON, MOMENTARY	
		P	GUIDED PUSH BUTTON WITH LAMP, MOMENTARY	
		EB	MUSHROOM HEADED PUSH BUTTON, MOMENTARY	
	INPUT VOLTAGE	ER	MUSHROOM HEADED PUSH BUTTON, TURN TO RESET	
		1	110VAC 50/60Hz	
		2	220VAC 50/60Hz	
	CONTACT BLOCK	3	230VAC 50/60Hz	
		TL	6V AC/DC 12V AC/DC 24V AC/DC	
	CONTACT BLOCK	NUMBER	NUMBER OF NO CONTACT	
	CONTACT BLOCK	NUMBER	NUMBER OF NC CONTACT	
	COLOR	R	RED	FILAMENT R/G/Y/B/W
		G	GREEN	
Y		YELLOW		
B		BLUE	LED R/G/Y	
W		WHITE		

Specifications

	KH-2201 KH-2201EB KH-2201ER KH-2201S	KH-2202	KH-2204 KH-2204EB KH-2204ER
SWITCH RATING (RESISTIVE LOAD)	10A, 125VAC 6A, 250AVC		
INSULATION RESISTANCE	100MΩ at 500VDC		
CONTACT RESISTANCE	less than 50mΩ		
VIBRATION RESISTANCE	10~50Hz double amplitude 1.5mm X, Y and Z directions for one hour		
SHOCK RESISTANCE	50g(500m/sec ²)		
AMBIENT TEMPERATURE	-25°C ~ +50°C (without condensing)		
AMBIENT HUMIDITY	45~85%		
ELECTRICAL LIFE	more than 100,000		
MECHANICAL LIFE	more than 1,000,000 more than 100,000(EB, ER and S)	more than 100,000	more than 1,000,000 more than 100,000(EB, ER)
PROTECTION	IP 56 (ER, S : IP 50)	IP 50	IP 56 (ER : IP 50)

ORDERING NO. : KH – 2201 – 1 1 R


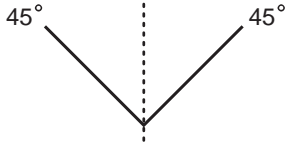
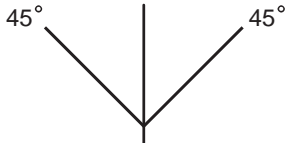

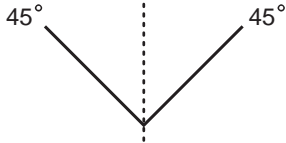
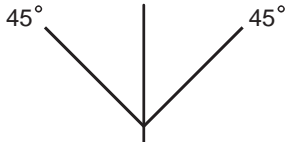
NO. of NC contact
NO. of NO contact

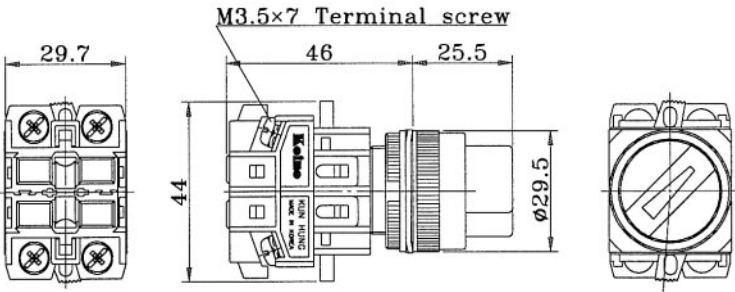
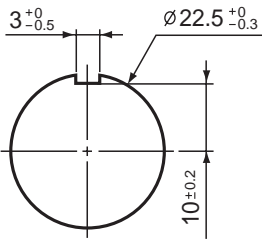
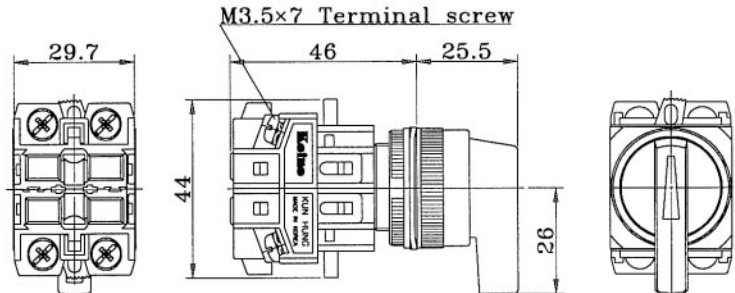
	PROTECTION	ACTUATOR	COLOR
Push Button, Momentary 	IP 56	KH-2201	Red : R Green : G Yellow : Y Blue : B White : W Black : BK
Push Button, Momentary 	IP 56	KH-2201EB	Red : R Green : G Yellow : Y
Push Button, Turn To Reset 	IP 50	KH-2201ER	Red : R Green : G Yellow : Y
Selectable Push Button 	IP 50	KH-2201S	Black : BK

DIMENSION	
<p>KH-2201</p> <p>M3.5x7 Terminal screw</p> <p>29.7, 46, 13.2, 44, Ø29.5</p>	<p>Panel Cut-out</p> <p>$3^{+0}_{-0.5}$, $\text{Ø}22.5^{+0}_{-0.3}$, $10^{+0.2}$</p>
<p>KH-2201EB</p> <p>M3.5x7 Terminal screw</p> <p>29.7, 46, 24, 44, Ø40</p>	
<p>KH-2201ER</p> <p>M3.5x7 Terminal screw</p> <p>29.7, 46, 31, 44, Ø40</p>	<ul style="list-style-type: none"> ■ Contact block combinations Max. 4 contact block combination ■ Material <ul style="list-style-type: none"> • Body : Nylon glass • Contact block : Nylon glass • Ring : Nylon glass • Knob : Acetal
<p>KH-2201S</p> <p>M3.5x6 Terminal screw</p> <p>29.7, 46, 25.5, 44, Ø30, 17.5</p>	



ORDERING NO. : **KH - 2202 - 2L - 1 1**

└─ NO. of NC contact
└─ NO. of NO contact

	PROTECTION	ACTUATOR	ACTUATING ANGLE
Latching Selector With Short Lever 	IP 50	KH-2202-2S	
	IP 50	KH-2202-3S	
Latching Selector With Long Lever 	IP 50	KH-2202-2L	
	IP 50	KH-2202-3L	

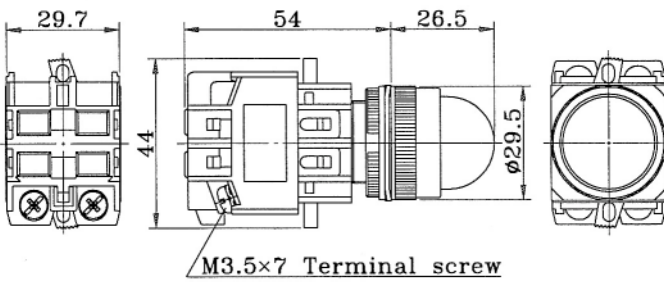
DIMENSION	
<p>KH-2202-2S KH-2202-3S</p> 	<p>Panel Cut-out</p>  <ul style="list-style-type: none"> ■ Contact block combinations Max. 4 contact block combination ■ Material <ul style="list-style-type: none"> • Body : Nylon glass • Contact block : Nylon glass • Ring : Nylon glass • Knob : Acetal
<p>KH-2202-2L KH-2202-3L</p> 	

ORDERING NO. : KH – 2203 L – 1 R

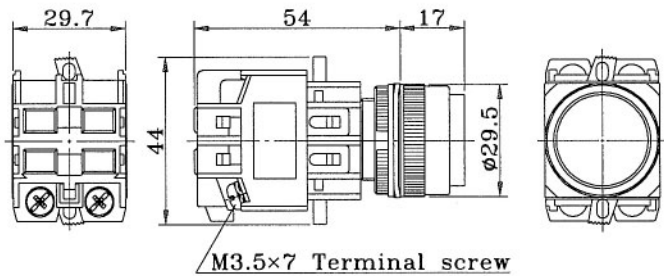
	MODEL		INPUT VOLTAGE	COLOR
<p>Built-in Transformer</p> 	FILAMENT	KH-2203-1	110VAC	Filament Lamp : Red : R Green : G Yellow : Y Blue : B White : W
		KH-2203-2	220VAC	
		KH-2203-3	230VAC	
	LED	KH-2203L-1	110VAC	
		KH-2203L-2	220VAC	
		KH-2203L-3	230VAC	
<p>Full Voltage</p> 	FILAMENT	KH-2203-TL	FULL VOLTAGE	LED Lamp : Red : R Green : G Yellow : Y
			FILAMENT 6.3V 12V 24V	
	LED	KH-2203L-TL	LED 6V 12V 24V	

DIMENSION

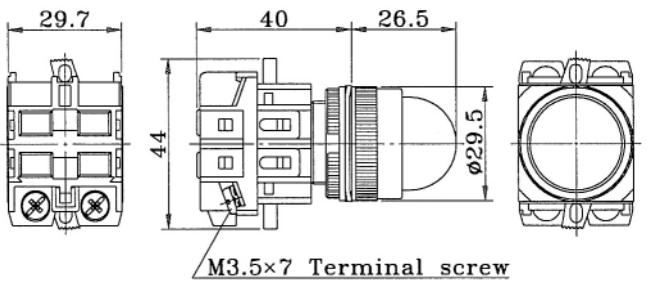
KH-2203(R Type Cap)



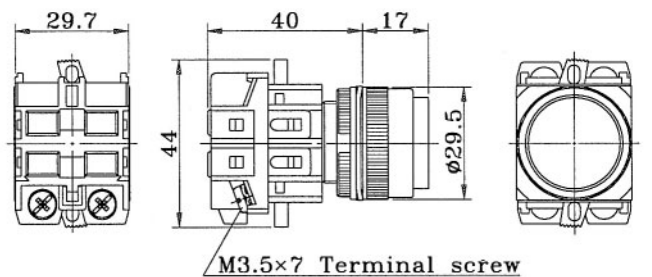
KH-2203(F Type Cap)



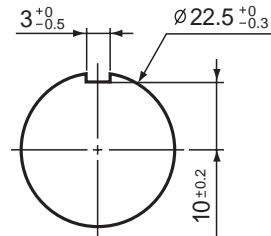
KH-2203-TL(R Type Cap)



KH-2203-TL(F Type Cap)



Panel Cut-out



- The secondary voltage of built-in transformer is 6V
- Material
 - Body : Nylon glass
 - Ring : Nylon glass
 - Cab : AS
- F type cap is available.
- The input voltage should be notified when full voltage pilot lamps are ordered.

FILAMENT	LED
6.3V AC/DC	6V AC/DC
12V AC/DC	12V AC/DC
24V AC/DC	24V AC/DC

ORDERING NO. : KH - 2204LP - 2 1 1 R

NO. of NC contact
NO. of NO contact

	ACTUATOR	LIGHT SOURCE	INPUT VOLTAGE	COLOR
Push Button (Built-In Transformer) 	KH - 2204 - 1	FILAMENT	110VAC	Filament Lamp : Red : R Green : G Yellow : Y Blue : B White : W LED Lamp : Red : R Green : G Yellow : Y
	KH - 2204 - 2		220VAC	
	KH - 2204L - 1	LED	110VAC	
	KH - 2204L - 2		220VAC	
Push Button (Full Voltage) 	KH - 2204 - TL	FILAMENT	FULL VOLTAGE	
	KH - 2204L - TL	LED		
Push Button (Built-In Transformer) 	KH - 2204P - 1	FILAMENT	110VAC	
	KH - 2204P - 2		220VAC	
	KH - 2204LP - 1	LED	110VAC	
	KH - 2204LP - 2		220VAC	
Push Button (Full Voltage) 	KH - 2204P - TL	FILAMENT	FULL VOLTAGE	
	KH - 2204LP - TL	LED		

DIMENSION									
<p>KH-2204</p>	<p>Panel Cut-out</p> <ul style="list-style-type: none"> ■ The secondary voltage of built-in transformer is 6V ■ Material <ul style="list-style-type: none"> • Body : Nylon glass • Contact block : Nylon glass • Ring : Nylon glass • Cab : AS ■ Contact block combinations <ul style="list-style-type: none"> Max. 4 contact block combination ■ The input voltage should be notified when full voltage pilot lamps are ordered. <table border="1" style="width: 100%; text-align: center;"> <thead> <tr> <th>FILAMENT</th> <th>LED</th> </tr> </thead> <tbody> <tr> <td>6.3V AC/DC</td> <td>6V AC/DC</td> </tr> <tr> <td>12V AC/DC</td> <td>12V AC/DC</td> </tr> <tr> <td>24V AC/DC</td> <td>24V AC/DC</td> </tr> </tbody> </table>	FILAMENT	LED	6.3V AC/DC	6V AC/DC	12V AC/DC	12V AC/DC	24V AC/DC	24V AC/DC
FILAMENT		LED							
6.3V AC/DC		6V AC/DC							
12V AC/DC		12V AC/DC							
24V AC/DC		24V AC/DC							
<p>KH-2204-TL</p>									
<p>KH-2204P</p>									
<p>KH-2204P-TL</p>									

ORDERING NO. : KH - 2204EB - TL 1 1 R

NO. of NC contact
NO. of NO contact

	ACTUATOR	LIGHT SOURCE	INPUT VOLTAGE	COLOR
Push Button (Built-In Transformer) 	KH - 2204EB - 1	FILAMENT	110VAC	Filament Lamp : Red : R Green : G Yellow : Y Blue : B White : W LED Lamp : Red : R Green : G Yellow : Y
	KH - 2204EB - 2		220VAC	
	KH - 2204LEB - 1	LED	110VAC	
	KH - 2204LEB - 2		220VAC	
Push Button (Full Voltage) 	KH - 2204EB - TL	FILAMENT	FULL VOLTAGE	
	KH - 2204LEB - TL	LED		
Push Button, Turn To Reset (Built-In Transformer) 	KH - 2204ER - 1	FILAMENT	110VAC	
	KH - 2204ER - 2		220VAC	
	KH - 2204LER - 1	LED	110VAC	
	KH - 2204LER - 2		220VAC	
Push Button, Turn To Reset (Full Voltage) 	KH - 2204ER - TL	FILAMENT	FULL VOLTAGE	
	KH - 2204LER - TL	LED		

DIMENSION										
<p>KH-2204EB</p>	<p>KH-2204EB-TL</p>	<p>Panel Cut-out</p> <ul style="list-style-type: none"> ■ The secondary voltage of built-in transformer is 6V ■ Material <ul style="list-style-type: none"> • Body : Nylon glass • Contact block : Nylon glass • Ring : Nylon glass • Cab : AS ■ Contact block combinations Max. 4 contact block combination ■ The input voltage should be notified when full voltage pilot lamps are ordered. <table border="1" style="width: 100%; text-align: center;"> <thead> <tr> <th>FILAMENT</th> <th>LED</th> </tr> </thead> <tbody> <tr> <td>6.3V AC/DC</td> <td>6V AC/DC</td> </tr> <tr> <td>12V AC/DC</td> <td>12V AC/DC</td> </tr> <tr> <td>24V AC/DC</td> <td>24V AC/DC</td> </tr> </tbody> </table>	FILAMENT	LED	6.3V AC/DC	6V AC/DC	12V AC/DC	12V AC/DC	24V AC/DC	24V AC/DC
FILAMENT	LED									
6.3V AC/DC	6V AC/DC									
12V AC/DC	12V AC/DC									
24V AC/DC	24V AC/DC									
<p>KH-2204ER</p>	<p>KH-2204ER-TL</p>									